

LEAK CONTAINMENT KIT

**Non-Intrusive Permanent
Repair for Pinholes**

**Cold Pad aims to shift FPSO Structural Maintenance
from Planned Shutdown to General Maintenance**

LEAK CONTAINMENT KIT

Repair pinholes without hot works, within 1 day

PINHOLE

Leak pressure up to 4 bar



COMPRESSION HEAD AND SEAL

Supplied on diverse shapes and sizes

COMPRESSION SPRING

For sustained effort during all service life

C-CLAW S300

Bonded anchor for secure fastening



Example of a crude oil leak repaired on a FPSO in South-East Asia



No hot works



Non-intrusive



Inspectable



Permanent repair



Easy and versatile



Leak pressure up to 4 bar



For Hydrocarbons, Water & Gas leaks



Can be immersed in water & oil

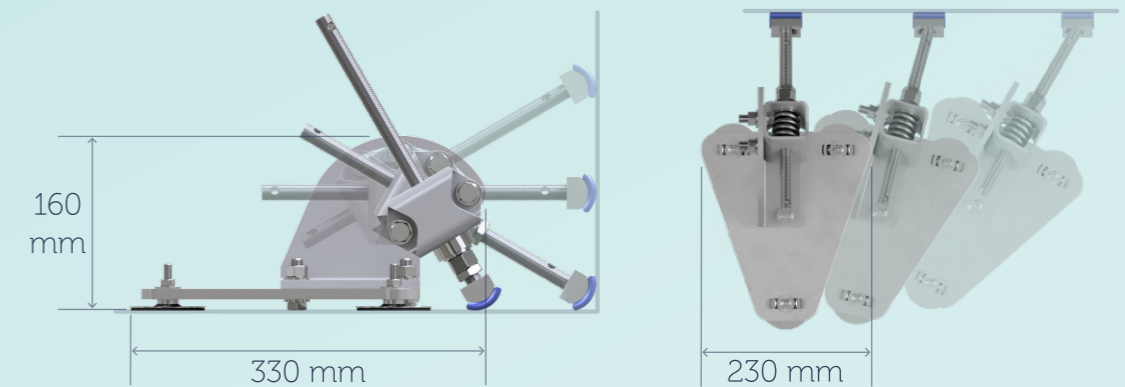


Typical Installation time: 1 day by 1 pax



Adaptable to different geometries

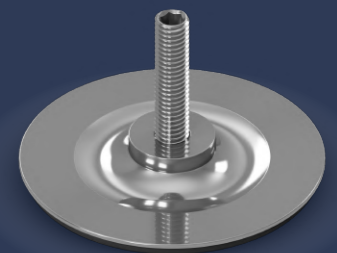
ARTICULATED FRAME



Adaptable for all geometry configuration: on flat and curved surfaces or in corners

C-CLAW S300 is non-intrusive bonded fastener - a real alternative to welding, drilling and magnets.

It is suitable for harsh environments such as FPSOs and commercial ships. Anywhere where conventional assembly methods generate a considerable number of associated constraints, costs and risks.



For more information about the C-Claw, consult: cold-pad.com/solutions-productandservices-c-claw



Safe - Reliable - Durable



Advanced Seal-Bonded Solutions

Cold Pad

130 rue de Lourmel
75015 Paris
FRANCE

tel: +33 9 72 63 25 50
contact@cold-pad.com

cold-pad.com