



Quicker - Safer - Better



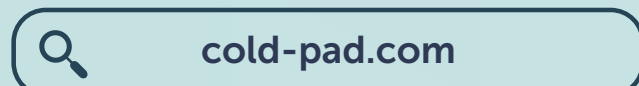
Advanced Seal-Bonded Solutions

If you require more information, do not hesitate to contact us!

130 Rue de Lourmel
75015 Paris FRANCE

+33 1 84 25 75 06

contact@cold-pad.com



Structural repair

Non-intrusive permanent repair
for vessel structures

Cold Pad solutions enable shifting FPSO maintenance from planned shutdown to general maintenance

ColdShield

Bonded structural reinforcement

ColdShield is a cold repair that restores structural integrity while eliminating the costs and risks associated with hot work.



The only cold repair type approved



No hot work required



Avoid shutdowns and associated costs



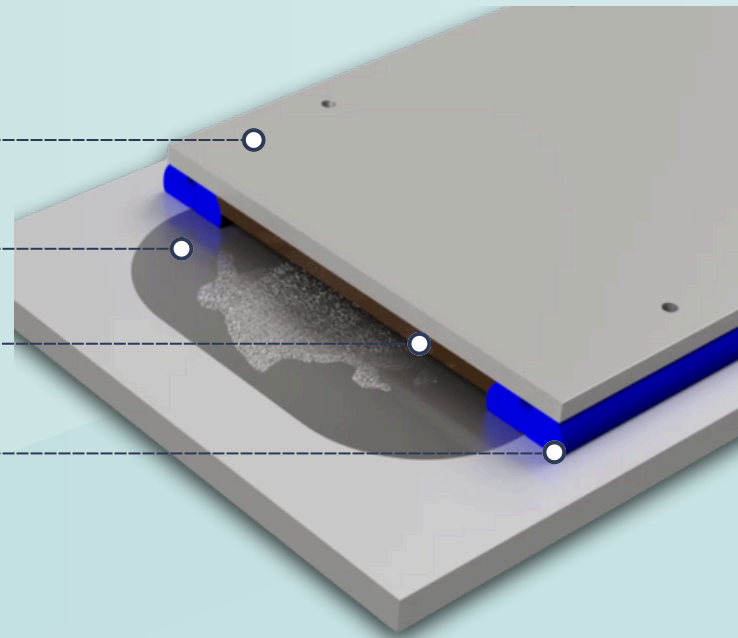
Permanent repair offshore

New steel plate

Corroded structure

Structural polymer

Hydro carbon resistant seal



Installation sequence



Installation

A new plate is installed & followed by a polymer injection



Result

A permanent repair in offshore environment

HotShield

Welded structural reinforcement

HotShield is a structural repair that restores weakened structures to their original capacity and protects the area from further corrosion.



Highly competitive solution



Quick installation



Low POB solution



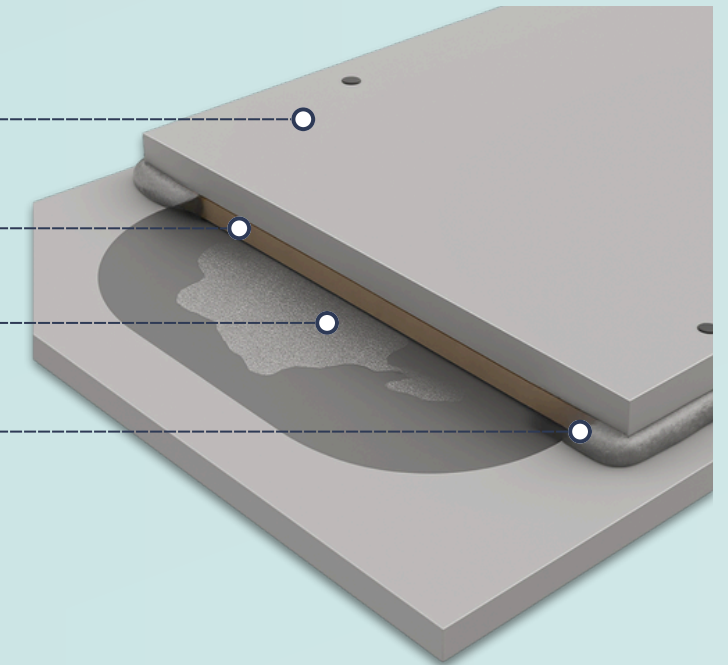
Permanent repair offshore

New steel plate

Polymer

Corroded structure

Welded perimeter bar

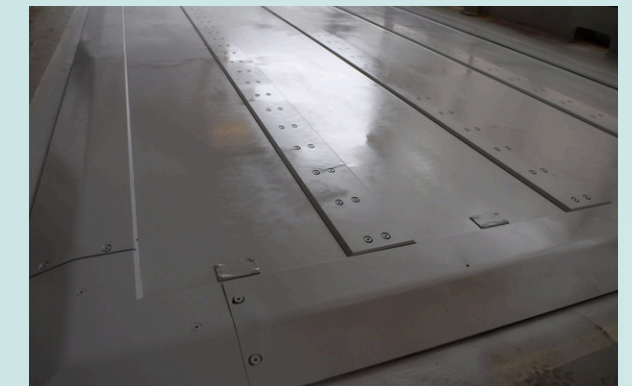


Installation sequence



Installation

New plate welding and polymer injection



Result

A structural alternative to crop and renew

ColdShield is approved by :



HotShield is approved by :

